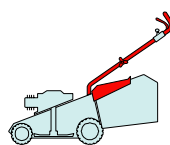


NG

414

464

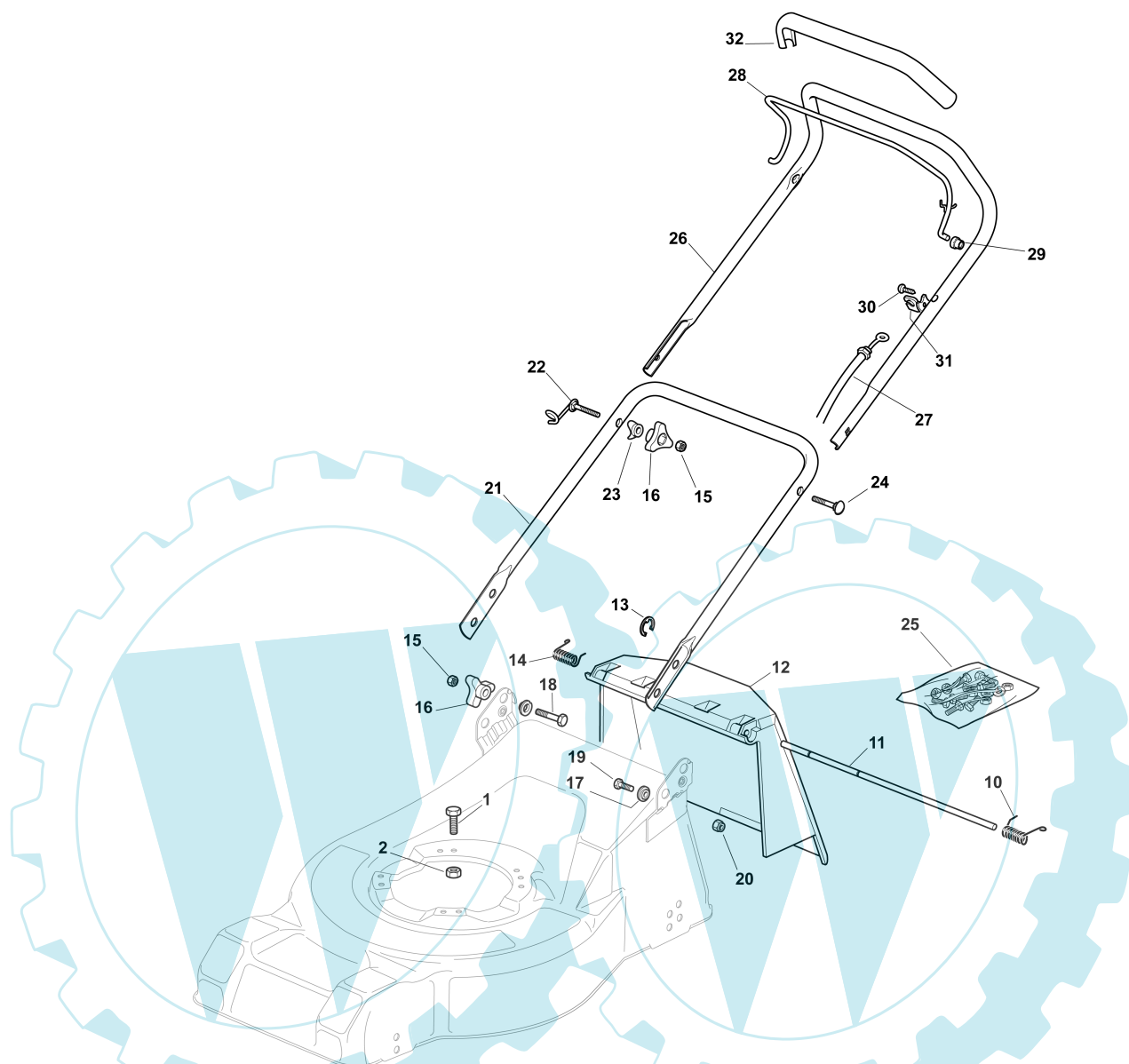
504



2007

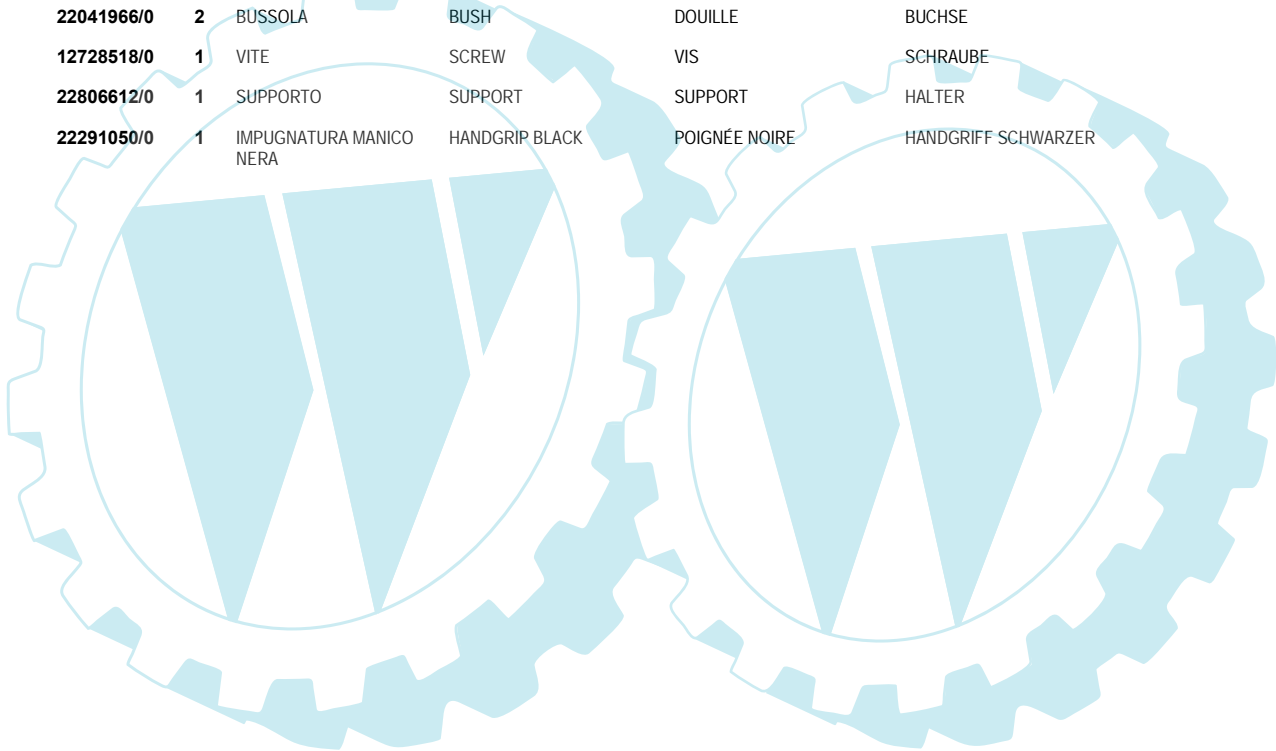
511.0

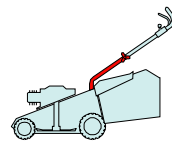
1 / 2



| POS. | CODE | Q.TY | DESCRIZIONE | DESCRIPTION | DESCRIPTION | BESCHREIBUNG | REMARKS |
|------|------------|------|-----------------|-------------|----------------|--------------|---------|
| 1 | 12793701/0 | 3/2 | VITE | SCREW | VIS | SCHRAUBE | |
| - | 12691800/0 | 0/1 | VITE | SCREW | VIS | SCHRAUBE | |
| 2 | 12155000/0 | 0/1 | DADO | NUT | ECROU | MUTTER | |
| - | 12293201/0 | 3/2 | DADO | NUT | ECROU | MUTTER | |
| 10 | 22450420/1 | 1 | MOLLA SX | L SPRING | RESSORT G | LINKE FEDER | |
| 11 | 22517906/1 | 1 | PERNO | PIN | PIVOT | BOLZEN | |
| 12 | 22600028/4 | 1 | PARASASSI | STONE-GUARD | PARE-PIERRES | PRALLBLECH | |
| 13 | 12000930/0 | 1 | ANELLO ELASTICO | SNAP RING | ANNEAU RESSORT | SPRENGRING | |
| 14 | 22450410/1 | 1 | MOLLA DX | R SPRING | RESSORT D | RECHTE FEDER | |
| 15 | 12293200/0 | 4 | DADO | NUT | ECROU | MUTTER | |
| 16 | 22399900/0 | 4 | MANOPOLINA | KNOB | POIGNÉE | GRIFF | |
| 17 | 22041955/0 | 4 | BUSSOLA | BUSH | DOUILLE | BUCHSE | |
| 18 | 12793700/0 | 2 | VITE | SCREW | VIS | SCHRAUBE | |
| 19 | 12792610/0 | 2 | VITE | SCREW | VIS | SCHRAUBE | |
| 20 | 12155000/0 | 2 | DADO | NUT | ECROU | MUTTER | |

| POS. | CODE | Q.TY | DESCRIZIONE | DESCRIPTION | DESCRIPTION | BESCHREIBUNG | REMARKS |
|------|------------|------|-------------------------|--------------------------|------------------------------|---------------------|----------------------------------|
| 21 | 81006512/0 | 1 | MANICO, PARTE INF | HANDLE, LOWER PART | MANCHERON, PARTIE INFERIEURE | HOLM, UNTERTEIL | |
| 22 | 81003801/1 | 1 | MOLLA GUIDA | GUIDE SPRING | RESSORT DE GUIDE | FEDER FÜHRER | |
| 23 | 22680006/1 | 2 | ROSETTA | WASHER | RONDELLE | SCHEIBE | |
| 24 | 12819201/0 | 1 | VITE | SCREW | VIS | SCHRAUBE | |
| 25 | 81008614/3 | 1 | DOTAZIONE VITERIA | OUTFIT, SCREWS | DOTATION VISSERIE | SATZ, SCHRAUBEN | |
| 26 | 81007018/1 | 1 | MANICO, PARTE SUP | HANDLE, UPPER PART | MANCHERON, PARTIE SUPERIEURE | HOLM, OBERTEIL | |
| 27 | 81000625/0 | 1 | CAVO FRENO MOTORE | CABLE, THREAD ENG. BRAKE | CABLE FREIN MOTEUR | KABEL, MOTORBREMSE | (B&S CLASSIC / SPRINT / LS / LC) |
| - | 81000633/0 | 1 | CAVO FRENO MOTORE | CABLE, THREAD ENG. BRAKE | CABLE FREIN MOTEUR | KABEL, MOTORBREMSE | (B&S QUANTUM NG 414) |
| - | 81000631/0 | 1 | CAVO FRENO MOTORE | CABLE, THREAD ENG. BRAKE | CABLE FREIN MOTEUR | KABEL, MOTORBREMSE | (B&S QUANTUM NG 464) |
| - | 81000611/0 | 1 | CAVO FRENO MOTORE | CABLE, THREAD ENG. BRAKE | CABLE FREIN MOTEUR | KABEL, MOTORBREMSE | (GGP ENGINE) |
| - | 81000611/0 | 1 | CAVO FRENO MOTORE | CABLE, THREAD ENG. BRAKE | CABLE FREIN MOTEUR | KABEL, MOTORBREMSE | (GGP ENGINE) |
| - | 81000640/0 | 1 | CAVO FRENO MOTORE | CABLE, THREAD ENG. BRAKE | CABLE FREIN MOTEUR | KABEL, MOTORBREMSE | (HONDA GCV 135/160) |
| 28 | 81003291/3 | 1 | LEVA FRENO MOTORE | LEVER, MOTOR BRAKE | LEVIER FREIN MOTEUR | HEBEL, MOTORBREMSE | |
| 29 | 22041966/0 | 2 | BUSSOLA | BUSH | DOUILLE | BUCHSE | |
| 30 | 12728518/0 | 1 | VITE | SCREW | VIS | SCHRAUBE | |
| 31 | 22806612/0 | 1 | SUPPORTO | SUPPORT | SUPPORT | HALTER | |
| 32 | 22291050/0 | 1 | IMPUGNATURA MANICO NERA | HANDGRIP BLACK | POIGNÉE NOIRE | HANDGRIFF SCHWARZER | |

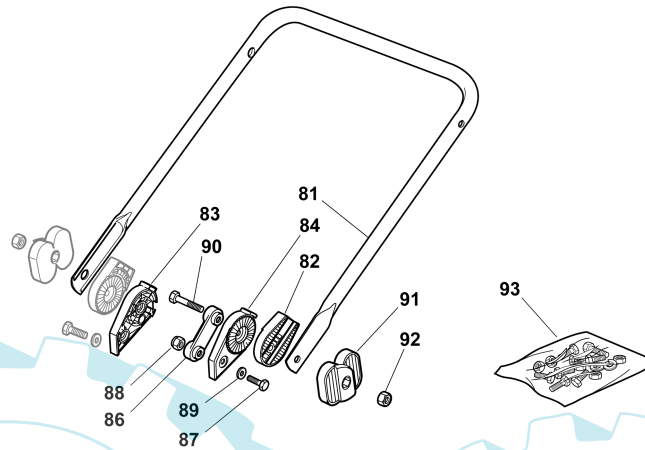


NG**414****464****504**

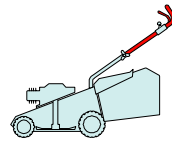
2007

511a.0

1 / 1



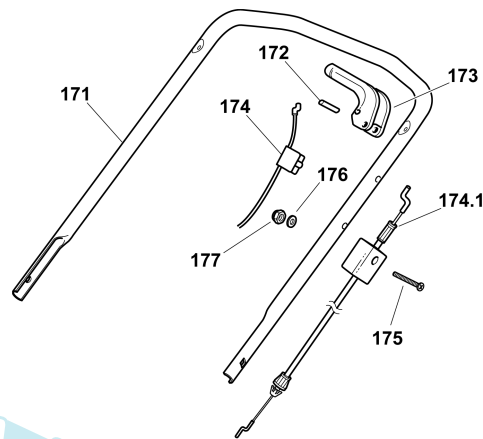
| POS. | CODE | Q.TY | DESCRIZIONE | DESCRIPTION | DESCRIPTION | BESCHREIBUNG | REMARKS |
|------|------------|------|-------------------|--------------------|------------------------------|-----------------|---------|
| 81 | 81006532/0 | 1 | MANICO, PARTE INF | HANDLE, LOWER PART | MANCHERON, PARTIE INFERIEURE | HOLM, UNTERTEIL | |
| 82 | 22785081/1 | 2 | SUPPORTO ESTERNO | SUPPORT, EXTERNAL | SUPPORT EXTERNE | HALTER, AUßERE | |
| 83 | 22785082/0 | 1 | SUPPORTO INTERNO | SUPPORT, INTERNAL | SUPPORT INTERNE | HALTER, INNERE | |
| 84 | 22785083/1 | 1 | SUPPORTO INTERNO | SUPPORT, INTERNAL | SUPPORT INTERNE | HALTER, INNERE | |
| 86 | 22551575/0 | 2 | PIASTRINA INTERNA | PLATE, INSIDE | PLAQUETTE INTERNE | PLATTE, INNERE | |
| 87 | 12793701/0 | 2 | VITE | SCREW | VIS | SCHRAUBE | |
| 88 | 12155000/0 | 2 | DADO | NUT | ECROU | MUTTER | |
| 89 | 12521350/0 | 2 | ROSETTA | WASHER | RONDELLE | SCHÉIBE | |
| 90 | 12691810/0 | 2 | VITE | SCREW | VIS | SCHRAUBE | |
| 91 | 22399803/0 | 2 | MANOPOLINA | KNOB | POIGNÉE | GRIFF | |
| 92 | 12293202/0 | 2 | DADO | NUT | ECROU | MUTTER | |
| 93 | 81008623/1 | 1 | DOTAZIONE VITERIA | OUTFIT, SCREWS | DOTATION VISSERIE | SATZ, SCHRAUBEN | |

NG**414****464****504**

2007

511b.0

1 / 1



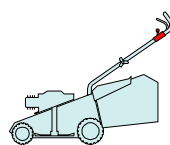
| POS. | CODE | Q.TY | DESCRIZIONE | DESCRIPTION | DESCRIPTION | BESCHREIBUNG | REMARKS |
|------|------------|------|-------------------|--------------------------|------------------------------|--------------------|--------------|
| 171 | 81006547/1 | 1 | MANICO, PARTE SUP | HANDLE, UPPER PART | MANCHERON, PARTIE SUPERIEURE | HOLM, OBERTEIL | |
| 172 | 12645710/0 | 1 | SPINA | PIN | GOUPILLE | STIFT | |
| 173 | 22321700/0 | 1 | LEVA FRENO MOTORE | LEVER, MOTOR BRAKE | LEVIER FREIN MOTEUR | HEBEL, MOTORBREMSE | |
| 174 | 81000652/0 | 1 | CAVO FRENO MOTORE | CABLE, THREAD ENG. BRAKE | CABLE FREIN MOTEUR | KABEL, MOTORBREMSE | (B&S) |
| - | 81000715/1 | 1 | CAVO FRENO MOTORE | CABLE, THREAD ENG. BRAKE | CABLE FREIN MOTEUR | KABEL, MOTORBREMSE | (GGP ENGINE) |
| 175 | 12674700/0 | 1 | VITE | SCREW | VIS | SCHRAUBE | (GGP ENGINE) |
| 176 | 12521330/0 | 1 | ROSETTA | WASHER | RONDELLE | SCHEIBE | (GGP ENGINE) |
| 177 | 12292100/0 | 1 | DADO | NUT | ECROU | MUTTER | (GGP ENGINE) |

NG

414

464

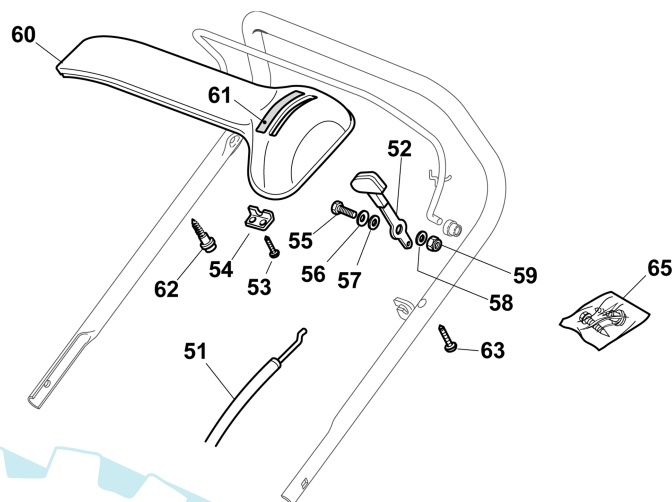
504



2007

512.0

1 / 1



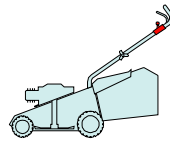
| POS. | CODE | Q.TY | DESCRIZIONE | DESCRIPTION | DESCRIPTION | BESCHREIBUNG | REMARKS |
|------|------------|------|-----------------------------|---------------------------|----------------------------|--------------------------|--|
| 51 | 81007160/0 | 1 | CAVO ACCELERATORE | CABLE, TROTTLE | CABLE, ACCELERATEUR | KABLE, BESCHLEUNIGER | |
| 52 | 81007221/0 | 1 | LEVA, ACCELERATORE | LEVER, THROTTLE | LEVIER, ACCELERATEUR | HEBEL, BESHLEUNIGER | (B&S CLASSIC/SPRINT/LS/LC - GGP ENGINE M150/SV150) |
| - | 81007280/2 | 1 | LEVA, ACCELERATORE | LEVER, THROTTLE | LEVIER, ACCELERATEUR | HEBEL, BESHLEUNIGER | (B&S QUANTUM - HONDA - GGP ENGINE SV200) |
| 53 | 12735105/0 | 2 | VITE | SCREW | VIS | SCHRAUBE | |
| 54 | 22981467/0 | 1 | PIASTRINA | PLATE | PLAQUETTE | PLÄTTCHEN | |
| 55 | 12791500/0 | 1 | VITE | SCREW | VIS | SCHRAUBE | |
| 56 | 12530060/0 | 1 | ROSETTA ELASTICA | SPRING WASHER | RONDELLE ELASTIQUE | ELASTISCHE SCHEIBE | |
| 57 | 12523040/0 | 1 | ROSETTA | WASHER | RONDELLE | SCHEIBE | |
| 58 | 12523040/0 | 1 | ROSETTA | WASHER | RONDELLE | SCHEIBE | |
| 59 | 12154510/0 | 1 | DADO | NUT | ECROU | MUTTER | |
| 60 | 22120152/0 | 1 | CRUSCOTTO GIALLO | DASH BOARD YELLOW | CONSOLE JAUNE | KONSOLE GELBE | |
| - | 22120158/0 | 1 | CRUSCOTTO NERO | DASH BOARD BLACK | CONSOLE NOIRE | KONSOLE SCHWARZE | |
| - | 22120154/0 | 1 | CRUSCOTTO ROSSO | DASH BOARD RED | CONSOLE ROUGE | KONSOLE ROTE | |
| 61 | 14356744/0 | 1 | ETICHETTA | LABEL | ETIQUETTE | ETIKETTE | (B&S) |
| - | 14356743/0 | 1 | ETICHETTA | LABEL | ETIQUETTE | ETIKETTE | (HONDA - GGP ENGINE) |
| 62 | 22943006/0 | 1 | VITE | SCREW | VIS | SCHRAUBE | |
| 63 | 12728460/0 | 1 | VITE | SCREW | VIS | SCHRAUBE | |
| 65 | 81008609/0 | 1 | DOTAZIONE VITERIA CRUSCOTTO | OUTFIT, DASH-BOARD SCREWS | DOTATION VISSERIE CONSOLLE | SATZ, KONSOLLE SCHRAUBEN | |

NG

414

464

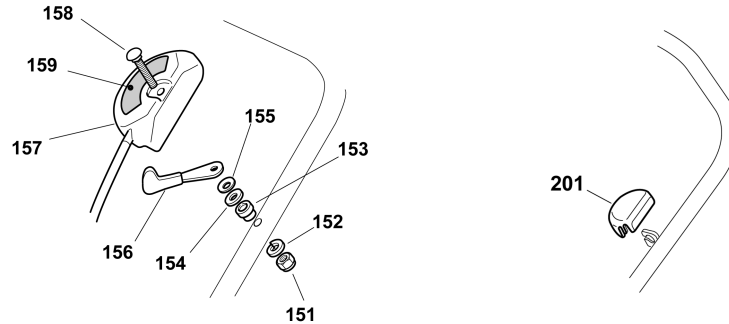
504



2007

512a.0

1 / 1



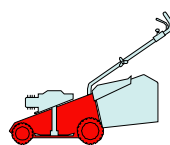
| POS. | CODE | Q.TY | DESCRIZIONE | DESCRIPTION | DESCRIPTION | BESCHREIBUNG | REMARKS |
|------|------------|------|--------------------|-----------------|----------------------|----------------------|--|
| 151 | 12291000/0 | 1 | DADO | NUT | ECROU | MUTTER | |
| 152 | 12581500/0 | 1 | GROWER | GROWER | GROWER | FEDERRING | |
| 153 | 22171005/0 | 1 | DISTANZIALE | SPACER | ENTRETOISE | DISTANZRING | |
| 154 | 12521360/0 | 1 | ROSETTA | WASHER | RONDELLE | SCHEIBE | |
| 155 | 12508100/0 | 1 | ROSETTA ELASTICA | SPRING WASHER | RONDELLE ELASTIQUE | ELASTISCHE SCHEIBE | |
| 156 | 81007220/0 | 1 | LEVA, ACCELERATORE | LEVER, THROTTLE | LEVIER, ACCELERATEUR | HEBEL, BESHLEUNIGER | (B&S CLASSIC/SPRINT/LS/LC - GGP ENGINE M150/SV150) |
| - | 81007279/1 | 1 | LEVA, ACCELERATORE | LEVER, THROTTLE | LEVIER, ACCELERATEUR | HEBEL, BESHLEUNIGER | (B&S QUANTUM - HONDA - GGP ENGINE SV200) |
| 157 | 81007080/0 | 1 | CAVO ACCELERATORE | CABLE, TROTTLE | CABLE, ACCELERATEUR | KABLE, BESCHLEUNIGER | |
| 158 | 12815000/0 | 1 | VITE | SCREW | VIS | SCHRAUBE | |
| 159 | 14356703/0 | 1 | ETICHETTA | LABEL | ETIQUETTE | ETIKETTE | (B&S) |
| - | 14356702/0 | 1 | ETICHETTA | LABEL | ETIQUETTE | ETIKETTE | (GGP ENGINE - HONDA) |
| 201 | 22601000/0 | 1 | PROTEZIONE | PROTECTION | PROTECTION | SCHUTZ | |

NG

414

464

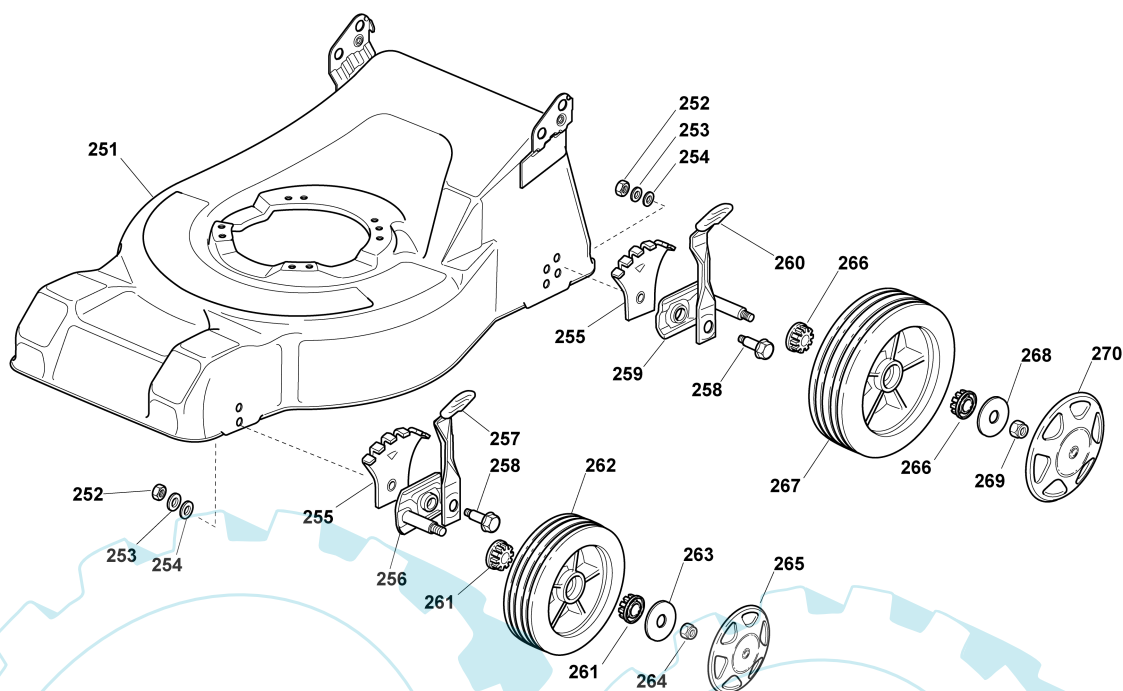
504



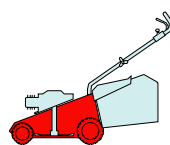
2007

513.0

1 / 1



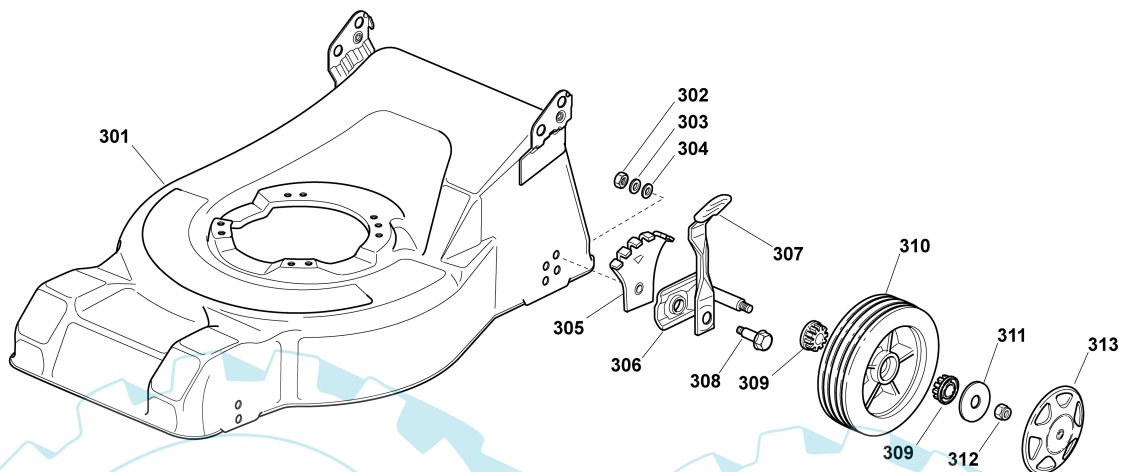
| POS. | CODE | Q.TY | DESCRIZIONE | DESCRIPTION | DESCRIPTION | BESCHREIBUNG | REMARKS |
|------|------------|------|-----------------------------|---------------------------|-------------------------|-------------------------|-------------------|
| 251 | 81001605/0 | 1 | CHASSIS ROSSO | DECK RED | CHÂSSIS ROUGE | GEHÄUSE ROT | |
| 252 | 12293200/0 | 4 | DADO | NUT | ECROU | MUTTER | |
| 253 | 12583500/0 | 4 | GROWER | GROWER | GROWER | FEDERRING | |
| 254 | 12523070/0 | 4 | ROSETTA | WASHER | RONDELLE | SCHEIBE | |
| 255 | 22735547/0 | 4 | SETTORE REGOLAZIONE ALTEZZA | SECTOR, HEIGHT ADJUSTMENT | SECTEUR REGLAGE HAUTEUR | SEKTOR, HÖHEVERSTELLUNG | |
| 256 | 81005082/0 | 2 | SUPPORTO RUOTA | SUPPORT, WHEEL | SUPPORT ROUE | HALTER, RAD | |
| 257 | 81003285/1 | 2 | LEVA REGOLAZIONE ALTEZZA | LEVER, HEIGHT ADJUSTMENT | LEVIER REGLAGE HAUTEUR | HEBEL, HÖNEVERSTELLUNG | |
| 258 | 22519811/0 | 4 | PERNO | PIN | PIVOT | BOLZEN | |
| 259 | 81005084/0 | 2 | SUPPORTO RUOTA | SUPPORT, WHEEL | SUPPORT ROUE | HALTER, RAD | |
| 260 | 81003286/0 | 2 | LEVA REGOLAZIONE ALTEZZA | LEVER, HEIGHT ADJUSTMENT | LEVIER REGLAGE HAUTEUR | HEBEL, HÖNEVERSTELLUNG | |
| 261 | 22034508/0 | 4 | BUSSOLA | BUSH | DOUILLE | BUCHSE | |
| 262 | 81007326/0 | 2 | RUOTA Ø 170 | WHEEL Ø 170 | ROUE Ø 170 | RAD. Ø 170 | |
| 263 | 12523060/0 | 2 | ROSETTA | WASHER | RONDELLE | SCHEIBE | |
| 264 | 12155000/0 | 2 | DADO | NUT | ECROU | MUTTER | |
| 265 | --- | 2 | COPRIMOZZO | HUB CAP | COUVRE-MOYEU | RADKAPPE | (SEE ENCLOSURE 1) |
| 266 | 22034508/0 | 4 | BUSSOLA | BUSH | DOUILLE | BUCHSE | |
| 267 | 81007328/0 | 2 | RUOTA Ø 210 | WHEEL Ø 210 | ROUE Ø 210 | RAD. Ø 210 | |
| 268 | 12523060/0 | 2 | ROSETTA | WASHER | RONDELLE | SCHEIBE | |
| 269 | 12155000/0 | 2 | DADO | NUT | ECROU | MUTTER | |
| 270 | --- | 2 | COPRIMOZZO | HUB CAP | COUVRE-MOYEU | RADKAPPE | (SEE ENCLOSURE 2) |

NG**414****464****504**

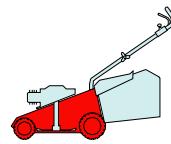
2007

513a.0

1 / 1



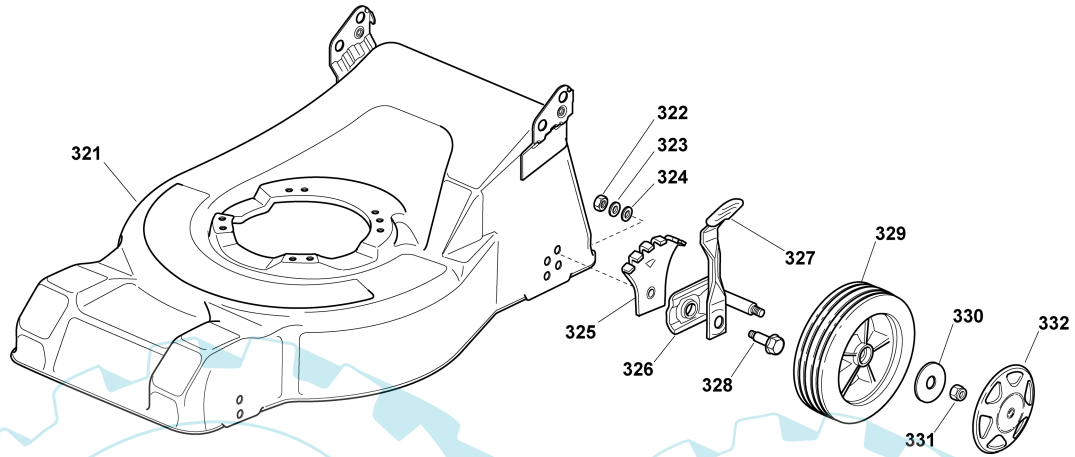
| POS. | CODE | Q.TY | DESCRIZIONE | DESCRIPTION | DESCRIPTION | BESCHREIBUNG | REMARKS |
|------|------------|------|-----------------------------|---------------------------|-------------------------|-------------------------|-------------------|
| 301 | 81002414/0 | 1 | CHASSIS ROSSO | DECK RED | CHÂSSIS ROUGE | GEHÄUSE ROT | (414) |
| - | 81002415/0 | 1 | CHASSIS ROSSO | DECK RED | CHÂSSIS ROUGE | GEHÄUSE ROT | (464) |
| 302 | 12293200/0 | 4 | DADO | NUT | ECROU | MUTTER | |
| 303 | 12583500/0 | 4 | GROWER | GROWER | GROWER | FEDERRING | |
| 304 | 12523070/0 | 4 | ROSETTA | WASHER | RONDELLE | SCHEIBE | |
| 305 | 22735547/0 | 4 | SETTORE REGOLAZIONE ALTEZZA | SECTOR, HEIGHT ADJUSTMENT | SECTEUR REGLAGE HAUTEUR | SEKTOR, HÖHEVERSTELLUNG | |
| 306 | 81005082/0 | 4 | SUPPORTO RUOTA | SUPPORT, WHEEL | SUPPORT ROUE | HALTER, RAD | |
| 307 | 81003285/1 | 4 | LEVA REGOLAZIONE ALTEZZA | LEVER, HEIGHT ADJUSTMENT | LEVIER REGLAGE HAUTEUR | HEBEL, HÖNEVERSTELLUNG | |
| 308 | 22519811/0 | 4 | PERNO | PIN | PIVOT | BOLZEN | |
| 309 | 22034508/0 | 8 | BUSSOLA | BUSH | DOUILLE | BUCHSE | |
| 310 | 81007326/0 | 4 | RUOTA Ø 170 | WHEEL Ø 170 | ROUE Ø 170 | RAD. Ø 170 | |
| 311 | 12523060/0 | 4 | ROSETTA | WASHER | RONDELLE | SCHEIBE | |
| 312 | 12155000/0 | 4 | DADO | NUT | ECROU | MUTTER | |
| 313 | --- | 4 | COPRIMOZZO | HUB CAP | COUVRE-MOYEU | RADKAPPE | (SEE ENCLOSURE 1) |

NG**414****464****504**

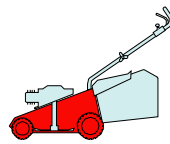
2007

513b.0

1 / 1



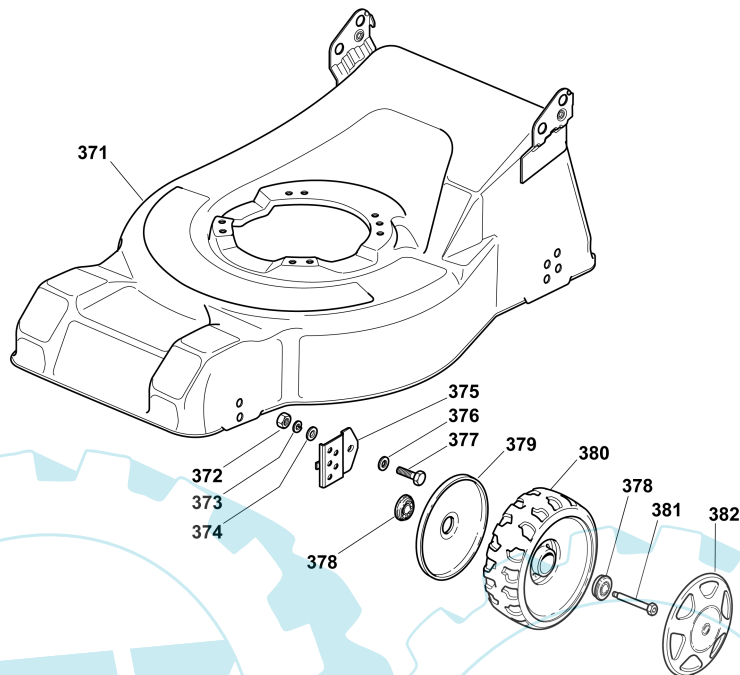
| POS. | CODE | Q.TY | DESCRIZIONE | DESCRIPTION | DESCRIPTION | BESCHREIBUNG | REMARKS |
|------|------------|------|-----------------------------|---------------------------|-------------------------|-------------------------|-------------------|
| 321 | 81002414/0 | 1 | CHASSIS ROSSO | DECK RED | CHÂSSIS ROUGE | GEHÄUSE ROT | (414) |
| - | 81002415/0 | 1 | CHASSIS ROSSO | DECK RED | CHÂSSIS ROUGE | GEHÄUSE ROT | (464) |
| 322 | 12293200/0 | 4 | DADO | NUT | ECROU | MUTTER | |
| 323 | 12583500/0 | 4 | GROWER | GROWER | GROWER | FEDERRING | |
| 324 | 12523070/0 | 4 | ROSETTA | WASHER | RONDELLE | SCHEIBE | |
| 325 | 22735547/0 | 4 | SETTORE REGOLAZIONE ALTEZZA | SECTOR, HEIGHT ADJUSTMENT | SECTEUR REGLAGE HAUTEUR | SEKTOR, HÖHEVERSTELLUNG | |
| 326 | 81005082/0 | 4 | SUPPORTO RUOTA | SUPPORT, WHEEL | SUPPORT ROUE | HALTER, RAD | |
| 327 | 81003285/1 | 4 | LEVA REGOLAZIONE ALTEZZA | LEVER, HEIGHT ADJUSTMENT | LEVIER REGLAGE HAUTEUR | HEBEL, HÖNEVERSTELLUNG | |
| 328 | 22519811/0 | 4 | PERNO | PIN | PIVOT | BOLZEN | |
| 329 | 81007325/0 | 4 | RUOTA Ø 170 | WHEEL Ø 170 | ROUE Ø 170 | RAD. Ø 170 | |
| 330 | 12523060/0 | 4 | ROSETTA | WASHER | RONDELLE | SCHEIBE | |
| 331 | 12293201/0 | 4 | DADO | NUT | ECROU | MUTTER | |
| 332 | --- | 4 | COPRIMOZZO | HUB CAP | COUVRE-MOYEU | RADKAPPE | (SEE ENCLOSURE 1) |

NG**414****464****504**

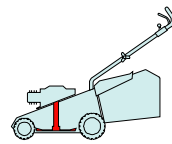
2007

513c.0

1 / 1



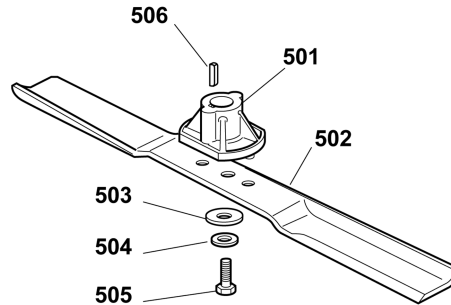
| POS. | CODE | Q.TY | DESCRIZIONE | DESCRIPTION | DESCRIPTION | BESCHREIBUNG | REMARKS |
|------|------------|------|---------------|-------------------|-----------------|---------------|-------------------|
| 371 | 81002414/0 | 1 | CHASSIS ROSSO | DECK RED | CHÂSSIS ROUGE | GEHÄUSE ROT | (414) |
| - | 81002415/0 | 1 | CHASSIS ROSSO | DECK RED | CHÂSSIS ROUGE | GEHÄUSE ROT | (464) |
| 372 | 12293200/0 | 4 | DADO | NUT | ECROU | MUTTER | |
| 373 | 12583500/0 | 4 | GROWER | GROWER | GROWER | FEDERRING | |
| 374 | 12523070/0 | 4 | ROSETTA | WASHER | RONDELLE | SCHEIBE | |
| 375 | 22551515/0 | 4 | PIASTRINA | PLATE | PLAQUETTE | PLÄTTCHEN | |
| 376 | 12521350/0 | 4 | ROSETTA | WASHER | RONDELLE | SCHEIBE | |
| 377 | 12793102/0 | 4 | VITE | SCREW | VIS | SCHRAUBE | |
| 378 | 22034515/1 | 8 | BUSSOLA | BUSH | DOUILLE | BUCHSE | |
| 379 | 22600095/0 | 4 | PROT. RUOTE | PROTECTION, WHEEL | PROTECTION ROUE | SCHÜTZ, RÄDER | |
| 380 | 22686091/1 | 4 | RUOTA Ø 165 | WHEEL Ø 165 | ROUE Ø 165 | RAD Ø 165 | |
| 381 | 22524340/0 | 4 | PERNO | PIN | PIVOT | BOLZEN | |
| 382 | --- | 4 | COPRIMOZZO | HUB CAP | COUVRE-MOYEU | RADKAPPE | (SEE ENCLOSURE 1) |

NG**414****464****504**

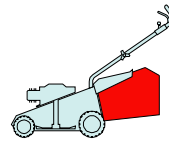
2007

514.0

1 / 1



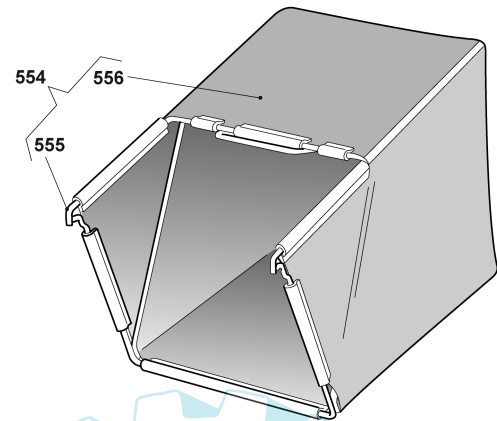
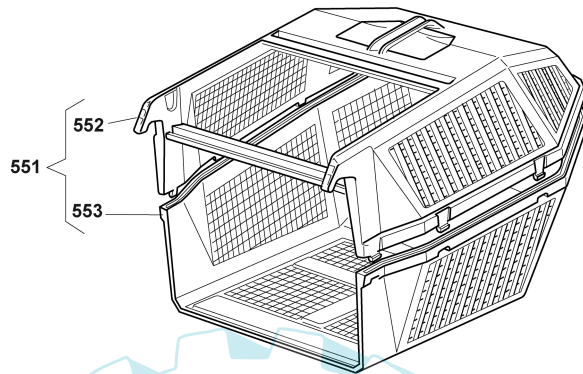
| POS. | CODE | Q.TY | DESCRIZIONE | DESCRIPTION | DESCRIPTION | BESCHREIBUNG | REMARKS |
|------|------------|------|-------------------|----------------|------------------|-----------------|---------|
| 501 | 22463012/2 | 1 | MOZZO | HUB | MOYEU | HALTER | |
| 502 | 81004360/3 | 1 | COLTELLO STANDARD | BLADE STANDARD | LAME STANDARD | MESSER STANDARD | (414) |
| - | 81004365/3 | 1 | COLTELLO STANDARD | BLADE STANDARD | LAME STANDARD | MESSER STANDARD | (464) |
| - | 81004395/1 | 1 | COLTELLO ALETTATO | BLADE WINGED | LAME AILETTÉE | MESSER FLÜGEL | (504) |
| - | 81004366/2 | 1 | COLTELLO STANDARD | BLADE STANDARD | LAME STANDARD | MESSER STANDARD | (504) |
| 503 | 22160400/0 | 1 | DISCO ELASTICO | ELASTIC WASHER | DISQUE ELASTIQUE | FEDERSCHEIBE | |
| 504 | 12523080/0 | 1 | ROSETTA | WASHER | RONDELLE | SCHEIBE | |
| 505 | 12735698/0 | 1 | VITE | SCREW | VIS | SCHRAUBE | |
| 506 | 12139100/0 | 1 | LINGUETTA | FEATHER | CLAVETTE | KEIL | |

NG**414****464****504**

2007

515.0

1 / 1



| POS. | CODE | Q.TY | DESGRIZIONE | DESCRIPTION | DESCRIPTION | BESCHREIBUNG | REMARKS |
|------|------------|------|-------------------------|--------------------------------|------------------------|-----------------|---------|
| 551 | 98005000/1 | 1 | SACCO, COMPLETO | GRASSCATCHER, COMPLETE | SAC, COMPLETE | SACK, KOMPLETTE | |
| 552 | 22486076/0 | 1 | SACCO, PARTE SUP | GRASS-BOX, UPPER PART | SAC, PARTIE SUPERIEURE | KORB, OBERTEIL | |
| 553 | 22486077/0 | 1 | SACCO, PARTE INF | GRASS-BOX, LOWER PART | SAC, PARTIE INFERIEURE | KORB, UNTERTEIL | |
| 554 | 98004000/0 | 1 | SACCO IN TELA, COMPLETO | GRASSCATCHER, CANVASS COMPLETE | SAC EN TOILE, COMPLETE | SACK, KOMPLETTE | |
| 555 | 81006408/0 | 1 | TELAIO SACCO | CHASSIS BOX | CHÄSSIS BAC | RAHMEN SACK | |
| 556 | 81002105/2 | 1 | SACCO, TELA | BOX, FABRIC | SAC, TOILE | SACK, TUCK | |